

QUICK HOMEOWNER GUIDE TO THE COMBI CONTROLS PACK : CPC2ZP5

TWIN ZONE ESi CONTROLS SYSTEM

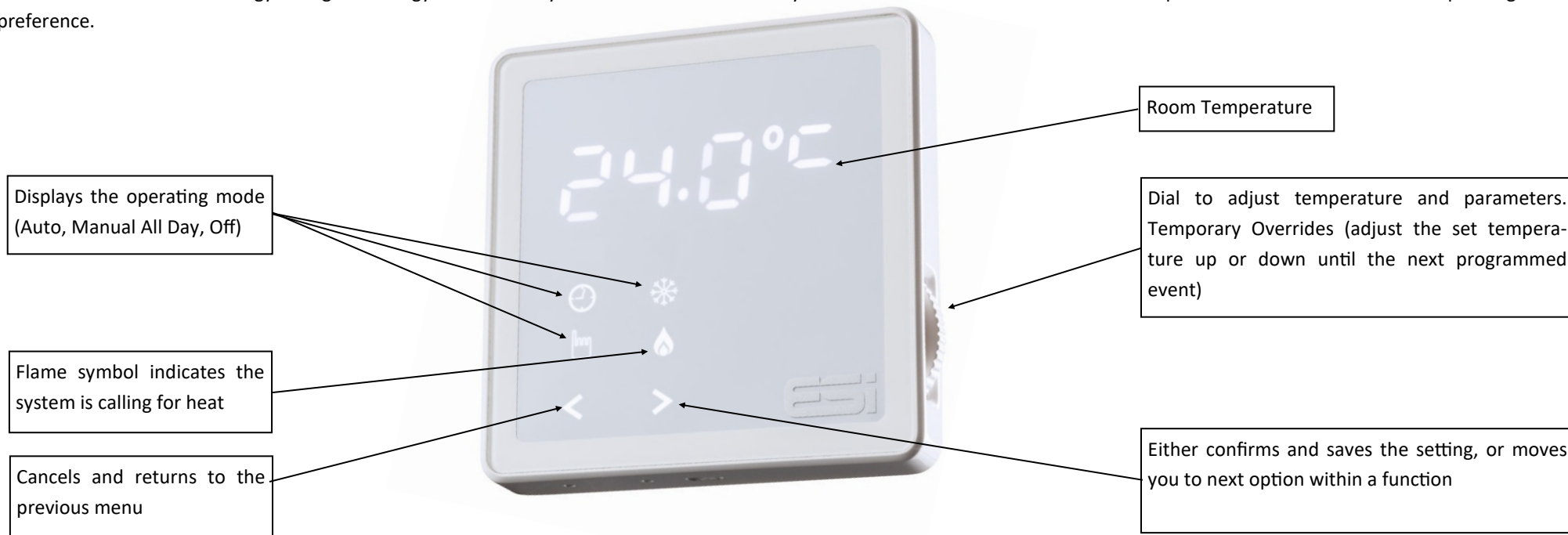
PROGRAMMABLE ROOM THERMOSTAT

What is a Programmable Room Thermostat?

A Programmable Room Thermostat combines a timer and thermostat in one unit by allowing you to set your desired comfort temperature at different times during the day.

The ESRT5 can operate as a 7 day, 5/2 day or 24 hour Programmable Room Thermostat with either 4 or 6 time and temperature events per day.

The ESRT5 also includes energy saving technology TPI and Delayed Start as well as the safety feature of Landlord Service. All of these options can be turned on or off depending on user preference.



Factory Set Programme

The ESRT5 has a pre-set programme which suits most people.

If the unit is installed as a 7 day thermostat, the pre-set settings are the same as the 5/2 day programme. If the unit is set as a 24 hour thermostat, the pre-set settings are the same as Mon-Fri of the 5/2 day programme.

Pre-Set Temperatures: 5/2 Day

6 Events	Time	Temp °C
1	7.30	20
2	09.30	20
3	11.30	20
4	13.30	20
5	16.30	20
6	22.30	15

Sat—Sun

4 Events	Time	Temp °C
1	6.30	20
2	12.00	16
3	14.00	16
4	16.30	21

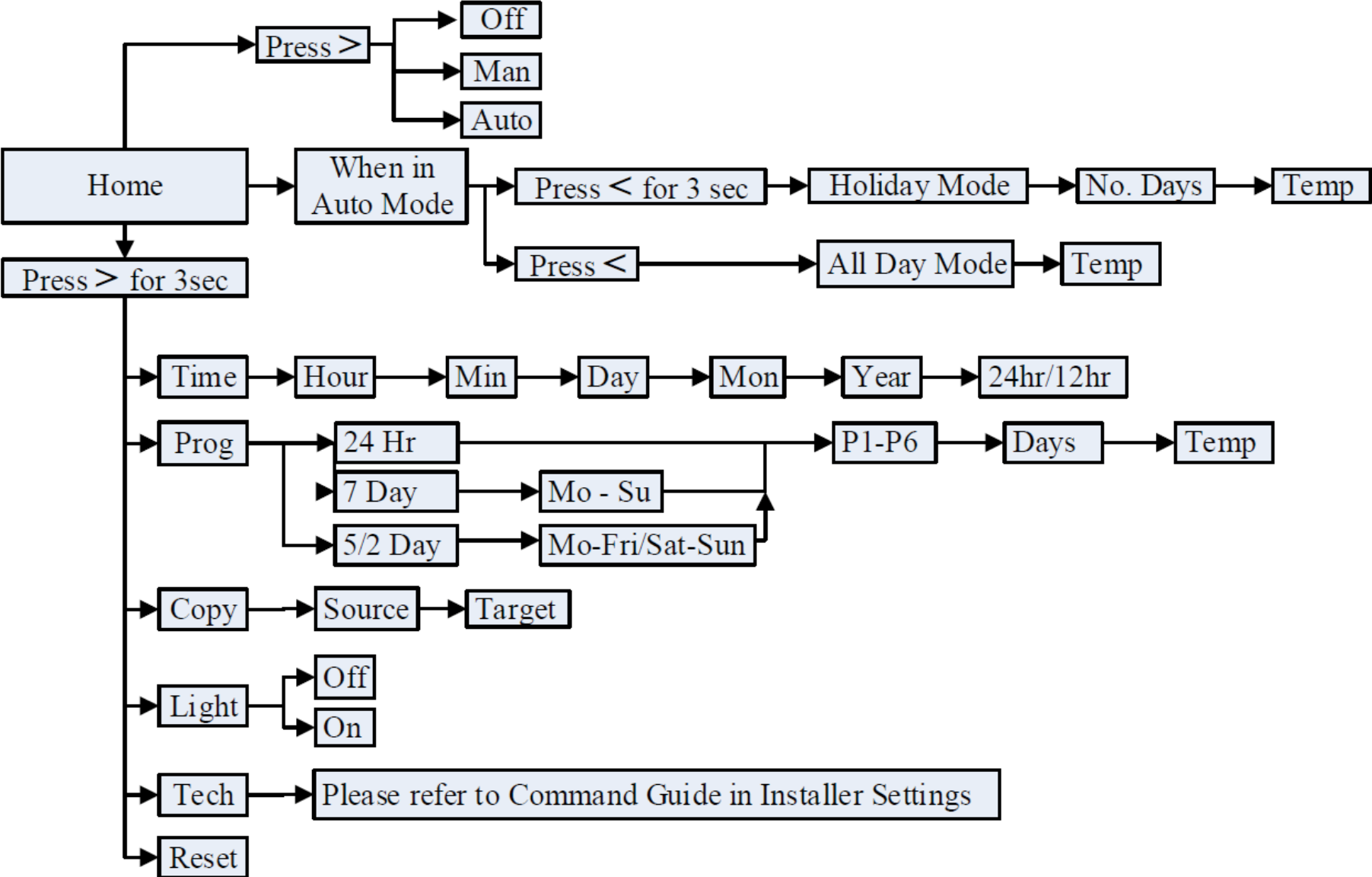
6 Events	Time	Temp °C
1	6.30	20
2	8.30	16
3	12.00	16
4	14.00	16
5	16.30	21
6	22.30	7

4 Events	Time	Temp °C
1	6.30	20
2	12.00	16
3	14.00	16
4	16.30	21

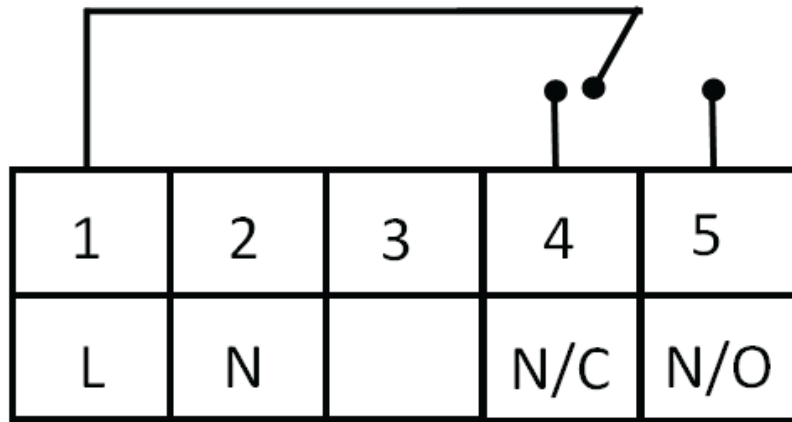
QUICK HOMEOWNER GUIDE TO THE COMBI CONTROLS PACK : CPC2ZP5

TWIN ZONE ESi CONTROLS SYSTEM

COMMAND TREE



QUICK HOMEOWNER GUIDE TO THE COMBI CONTROLS PACK : CPC2ZP5 TWIN ZONE ESi CONTROLS SYSTEM



Heating

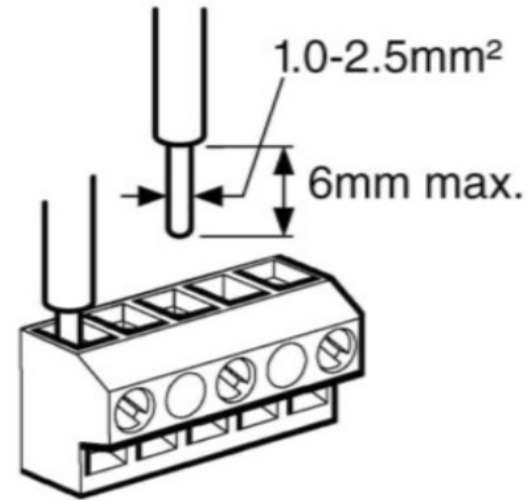
N.B Shown in OFF position

1 L : Live

2 N : Neutral

4 NC : Normally Closed

5 NO : Normally Open



QUICK HOMEOWNER GUIDE TO THE COMBI CONTROLS PACK : CPC2ZP5

TWIN ZONE ESi CONTROLS SYSTEM

MOTORISED ZONE VALVE



What is a Zone Valve?

Motorised Zone valves are used in wet central heating systems to control the flow of heated water from the boiler to primary circuits such as radiators.

WIRING CENTRE



What is a Wiring Centre?

Wiring centres provide a safe and convenient method of system wiring. All controls can be neatly connected making operational testing a simple task.

ANNUAL MAINTENANCE

An annual service should be carried out in order to ensure safe working and optimum performance and maintain the guarantee. It is essential that the following checks are performed by a competent installer on an annual basis.

YOUR GUARANTEE MAY BE VOID WITHOUT PROOF OF ANNUAL SERVICING.